

**OPTOELECTRONICS CO., LTD.**

**TEL: 86-020-34860190**

**FAX: 86-020-84847357**

**SPECIFICATION SHEET**

**CUSTOMER:** \_\_\_\_\_

**PRODUCT :** \_\_\_\_\_ **BA-LD002** \_\_\_\_\_

**REVISION :** \_\_\_\_\_ **V0** \_\_\_\_\_

Optical Designer	Mechanical Designer	Checked by	Prepared by

Customer Approval	BASO Primely Release

**BASO**  
**OPTOELECTRONICS CO., LTD.**

**TEL: 86-020-34860190**

**FAX: 86-020-84847357**

**THIS SPECIFICATION IS APPLIED TO**

BASO PART No.: \_\_\_\_\_

BASO PART Name: BA-LD002

**THIS SPECIFICATION IS APPROVED BY:**

**BASO** OPTOELECTRONICS CO., LTD.

Optical Designer Chief Technology Officer of R&D Center.

DATE/ MAR.24<sup>nd</sup>. 2009

*Signature:* \_\_\_\_\_

**CONTENT:**

1. FEATURE	PAGE 3
2. MECHANICAL DIMENSION	PAGE 3
3. TYPICAL APPLICATION	PAGE 4
4. REPRESENTATIVE SPATIAL RADIATION PATTERN	PAGE 5
5. QUALITY CONTROL	PAGE 6

**TOTAL 6 PAGES. INCLUDING THIS COVER SHEET.**

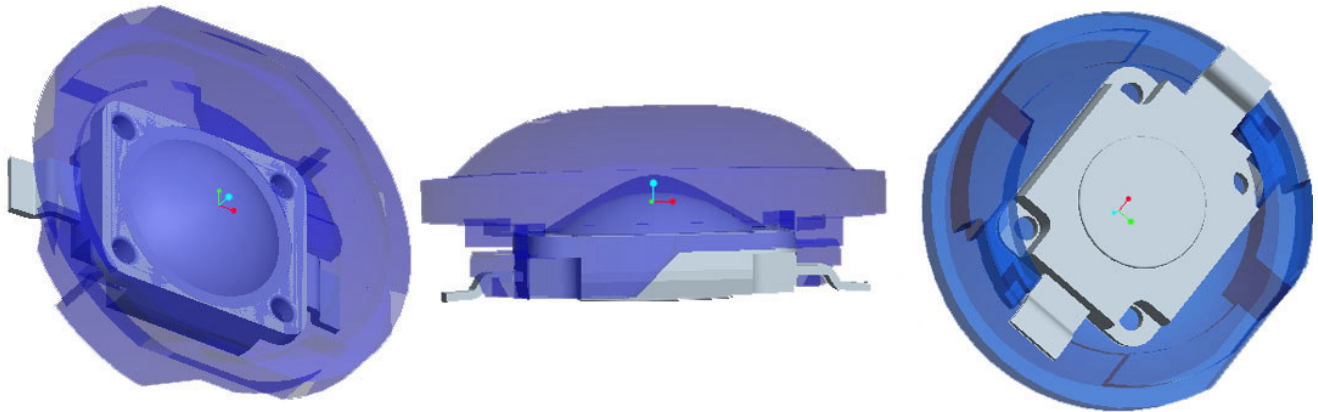
**OPTOELECTRONICS CO., LTD.**

TEL: 86-020-34860190

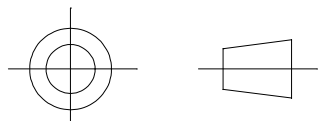
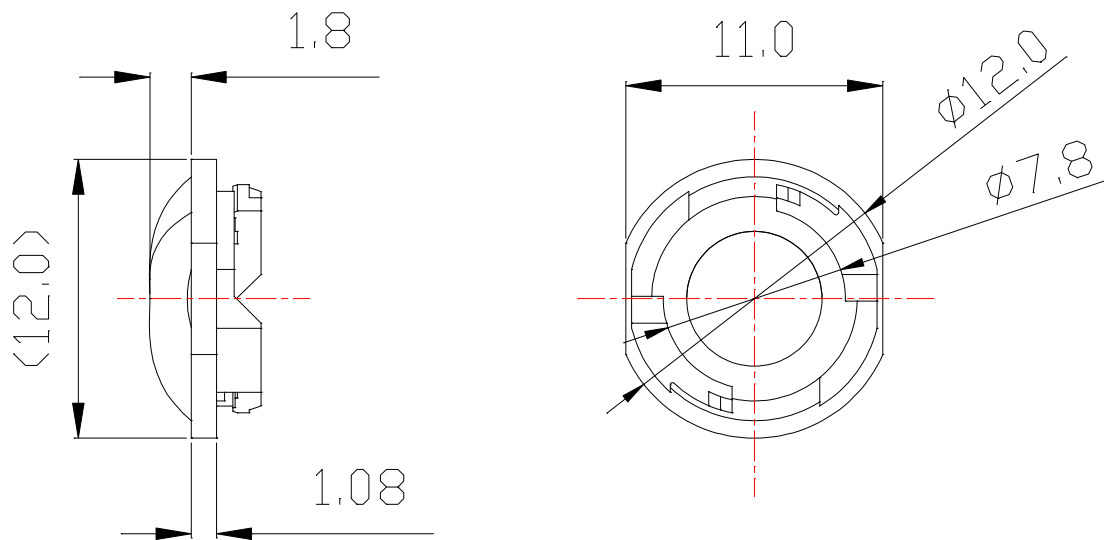
FAX: 86-020-84847357

**1.Features**

- 1. 130° view angle
- 2. Works with OSRAM Golden Dragon PLUS LED , Golden Dragon LED and compatible LED



**2. Mechanical Dimensions:**



**OPTOELECTRONICS CO., LTD.****TEL: 86-020-34860190****FAX: 86-020-84847357**

---

**Notes:**

1. All dimensions are in millimeter(mm).
2. General tolerance is  $\pm 0.1$ mm.
3. Matching with standard OSRAM Golden Dragon PLUS LED , general pull force can not separate them.
4. Do not subject to temperatures greater than 110°C as plastic deformation may occur.
5. Protect collimator against exposure to solvents and adhesives that are not compatible with it.
6. Use care in handling the optic to avoid scratches or other damage that will effect upon the optical performance.

**3. Typical Applications**

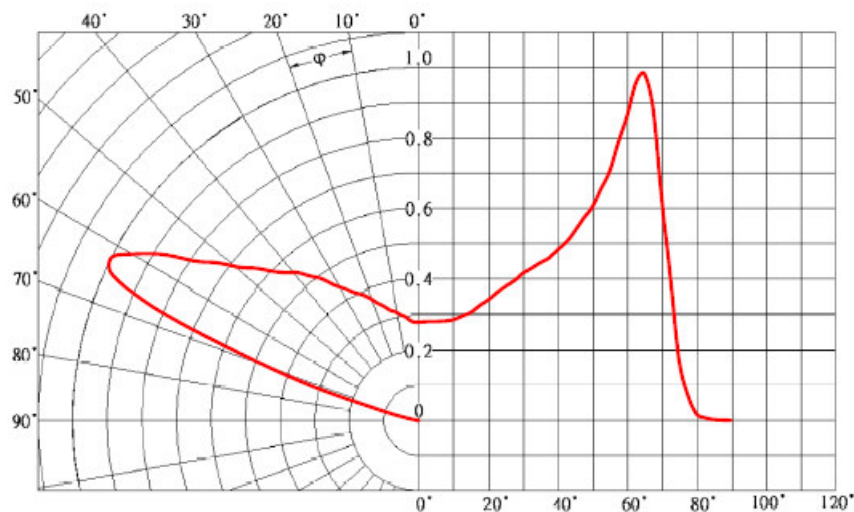
1. street lighting.
2. Wall Decoration Lamp.
3. signal and symbol luminaries for orientation.
4. marker lights.
5. indoor and outdoor commercial and residential architectural lighting.
6. LED Spot light.
7. LED light Module.
8. tunnel lighting.
9. special backlighting.

### 4. Representative Spatial Radiation Pattern:

Simulation using LUW W5AM of OSRAM Golden Dragon PLUS LED:

$I_{rel}=f(\phi)$        $I_{rel}$  :Relative lintensity       $\phi$  :Angular Displacement

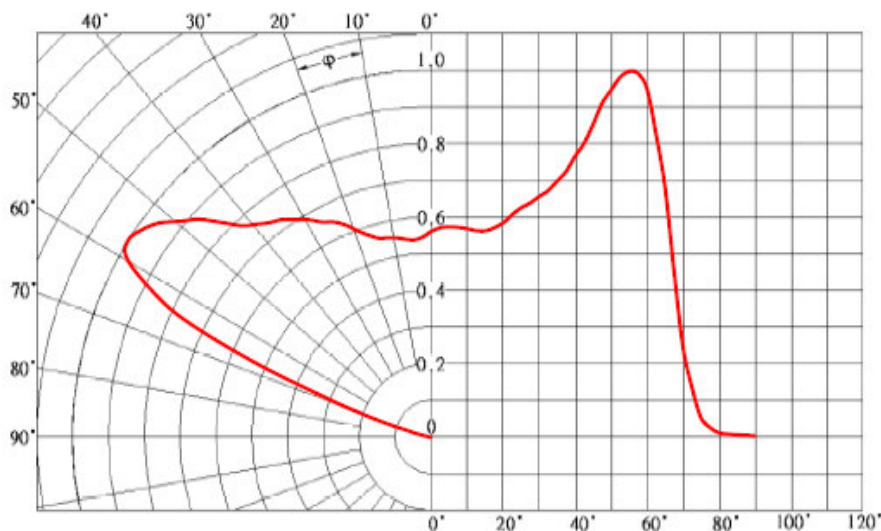
— CO-C180



Simulation using LUW W5SM of OSRAM Golden Dragon LED:

$I_{rel}=f(\phi)$        $I_{rel}$  :Relative lintensity       $\phi$  :Angular Displacement

— CO-C180



**OPTOELECTRONICS CO., LTD.****TEL: 86-020-34860190****FAX: 86-020-84847357**

---

**5.QUALITY CONTROL:**

- 1.All product be shipped has through 100% inspection resolution specification and sampling inspection of BASO Q.A. plan.
- 2.AQL standard of BASO Q.A. plan is based on contract between customer and BASO.
- 3.BASO will offer the inspection report per lot for ref.
- 4.Working temperature of product: 0°C~+50°C.
5. All the parts in the product should be RoHS compatible except lens glass.